



REVISIONS:

DATE	#	COMMENT	BY

PART NO: 54319

DIMENSIONS AND TOLERANCE ARE IN INCHES UNLESS SPECIFIED:  
 .X ±0.1 .XX ±0.06 .XXX ±0.03 FRACTION ±1/16 ANGLES ±1°

SPECIFICATIONS:

YOKE:

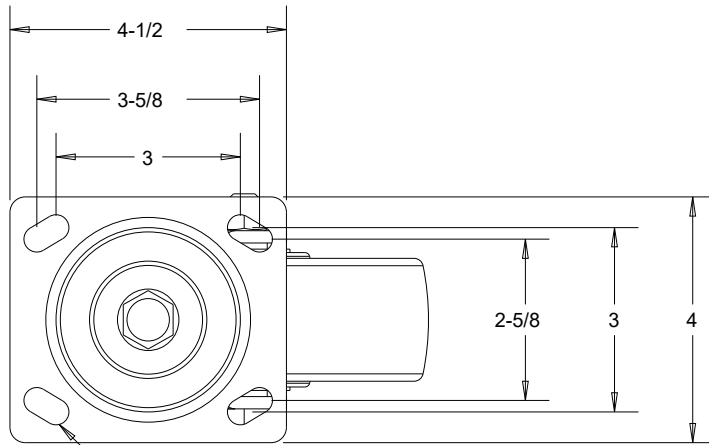
1. MATERIAL: ZINC PLATED STEEL
2. DOUBLE BALL BEARING RACEWAYS
3. 5/8" BOLTED KINGPIN
4. GREASE FITTING IN SWIVEL RACEWAY
5. 1/2" DIAMETER ZERK AXLE WITH LOCK NUT

WHEEL:

1. MATERIAL: POLYOLEFIN
2. 70 (±5) SHORE D DUROMETER
3. TEMPERATURE RANGE: -20°F TO 180°F
4. 3/4" I.D. X 1-3/16" O.D. X 1-7/8" L ROLLER BEARING
5. COLOR: BLACK

LOAD CAPACITY: 700 LBS

DATE	01/27/2023
SCALE	
PAGE	1 OF 1
DRAWN BY	S.C.
APPROVED BY	L.C.



MOUNTING BOLT  $\phi$  3/8

