



REVISIONS:

| DATE | # | COMMENT | BY |
|------|---|---------|----|
| | | | |
| | | | |
| | | | |

PART NO: 14848

DIMENSIONS AND TOLERANCE ARE IN INCHES UNLESS SPECIFIED:
 .X ±0.1 .XX ±0.06 .XXX ±0.03 FRACTION ±1/16 ANGLES ±1°

SPECIFICATIONS:

YOKE:

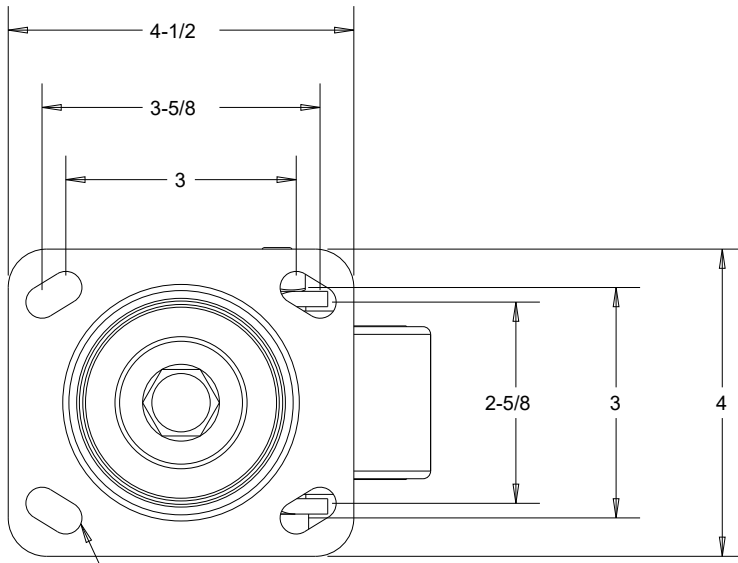
1. MATERIAL: ZINC PLATED STEEL
2. DOUBLE BALL BEARING RACEWAYS
3. 5/8" BOLTED KINGPIN
4. GREASE FITTING IN SWIVEL RACEWAY
5. 1/2" DIAMETER ZERK AXLE WITH LOCK NUT

WHEEL:

1. MATERIAL: POLYURETHANE TREAD ON ALUMINIUM CORE
2. 95 (±5) SHORE A DUROMETER
3. TEMPERATURE RANGE -40°F TO 180°F
4. 3/4" I.D. X 1-3/16" O.D. X 1-7/8" L. ROLLER BEARING
5. COLOR: GREEN TREAD ON ALUMINUM CORE

LOAD CAPACITY: 800 LBS

| | |
|-------------|------------|
| DATE | 08/30/2022 |
| SCALE | |
| PAGE | 1 OF 1 |
| DRAWN BY | D.X. |
| APPROVED BY | S.C. |



MOUNTING BOLT Ø3/8

