



REVISIONS:

DATE	#	COMMENT	BY

PART NO: 14835

DIMENSIONS AND TOLERANCE ARE IN INCHES UNLESS SPECIFIED:  
 .X ±0.1 .XX ±0.06 .XXX ±0.03 FRACTION ±1/16 ANGLES ±1°

SPECIFICATIONS:

YOKE:

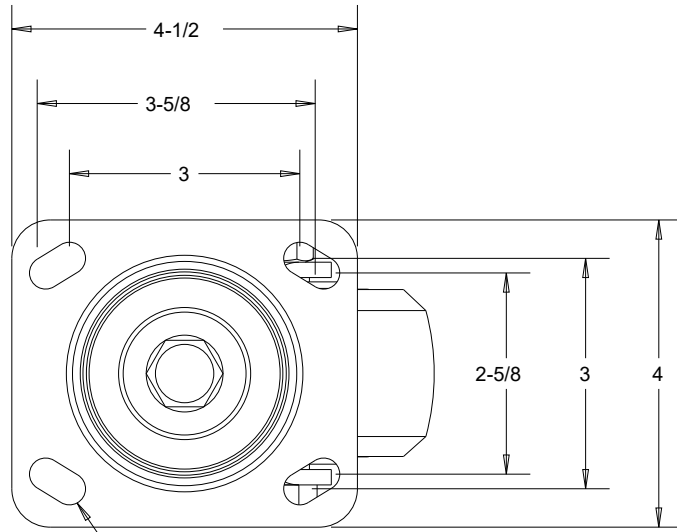
1. MATERIAL: ZINC PLATED STEEL
2. DOUBLE BALL BEARING RACEWAYS
3. 5/8" BOLTED KINGPIN AND NUT
4. GREASE FITTING IN SWIVEL RACEWAY
5. 1/2" DIAMETER ZERK AXLE AND NUT

WHEEL:

1. MATERIAL: SOLID POLYURETHANE ON GLASS FILLED NYLON COLLAR
2. 65 (±5) SHORE D DUROMETER
3. TEMPERATURE RANGE: -50°F TO 180°F
4. 3/4" I.D. X 1-3/16" O.D. X 1-7/8" L. ROLLER BEARING
5. COLOR: GREY TREAD ON BLACK CORE

LOAD CAPACITY: 1000 LBS

DATE	08/25/2022
SCALE	
PAGE	1 OF 1
DRAWN BY	D.X.
APPROVED BY	S.C.



MOUNTING BOLT Ø 3/8

