



REVISIONS:

DATE	#	COMMENT	BY

PART NO: 14207

DIMENSIONS AND TOLERANCE ARE IN INCHES UNLESS SPECIFIED:
 .X ±0.1 .XX ±0.06 .XXX ±0.03 FRACTION ±1/16 ANGLES ±1°

SPECIFICATIONS:

YOKE:

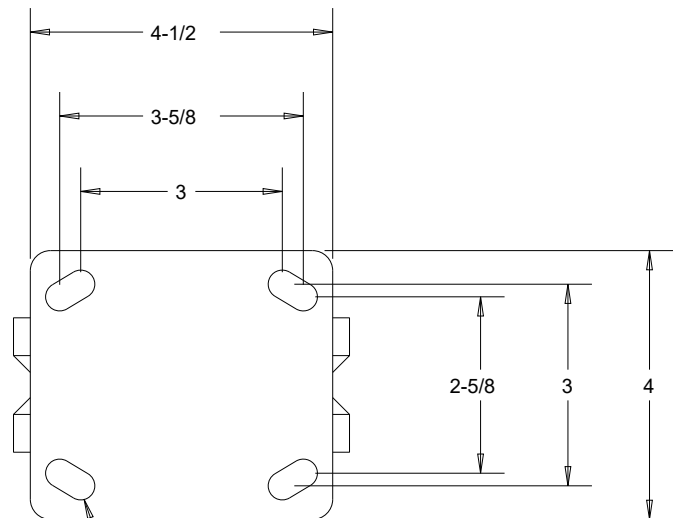
1. MATERIAL: ZINC PLATED STEEL
2. 1/2" DIAMETER ZERK AXLE WITH LOCK NUT

WHEEL:

1. MATERIAL: CAST IRON
2. TENSILE STRENGTH: 30,000 PSI
3. TEMPERATURE RANGE: -45°F TO 600°F
4. 3/4" I.D. X 1-3/16" O.D. X 1-7/8" L. ROLLER BEARING
5. COLOR: BLACK

LOAD CAPACITY: 900 LBS

DATE	07/24/2021
SCALE	
PAGE	1 OF 1
DRAWN BY	S.C.
APPROVED BY	L.C.



MOUNTING BOLT \varnothing 3/8

