



REVISIONS:

DATE	#	COMMENT	BY

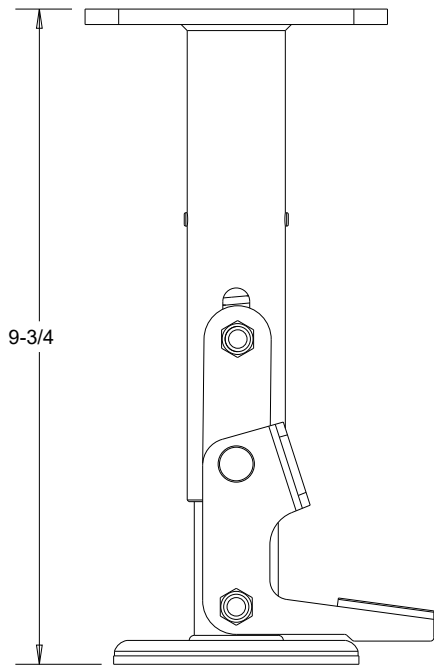
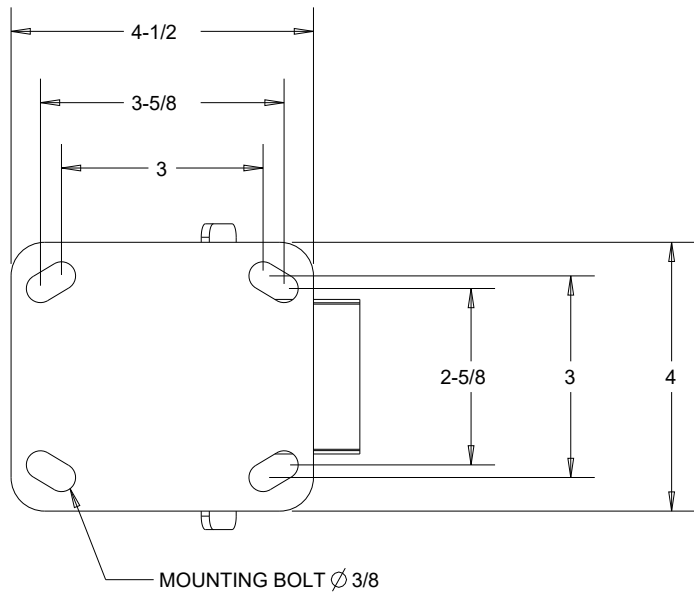
PART NO: 12459

DIMENSIONS AND TOLERANCE ARE IN INCHES UNLESS SPECIFIED:
 .X ±0.1 .XX ±0.06 .XXX ±0.03 FRACTION ±1/16 ANGLES ±1°

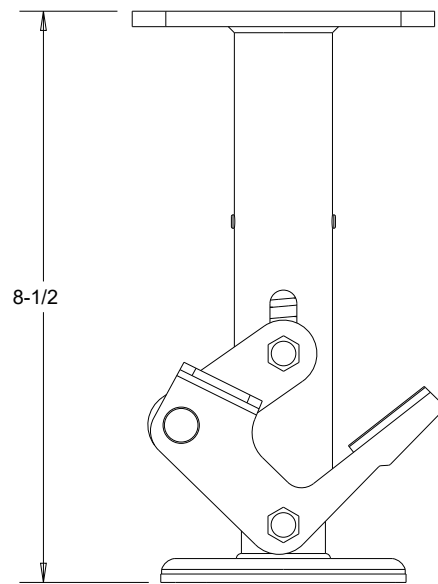
SPECIFICATIONS:

1. NON- SLIP RUBBER BASE
2. STANDAR TOP PLATE: 4"X4-1/2"
3. FOOT OPERATED
4. EXTENDED HEIGHT: 9-3/4"
5. RETRACTED HEIGHT: 8-1/2"

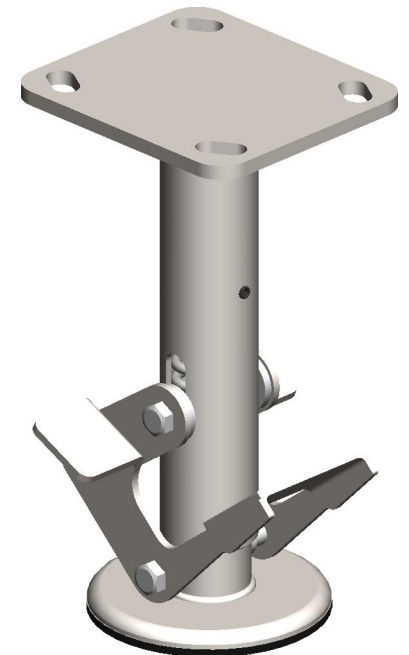
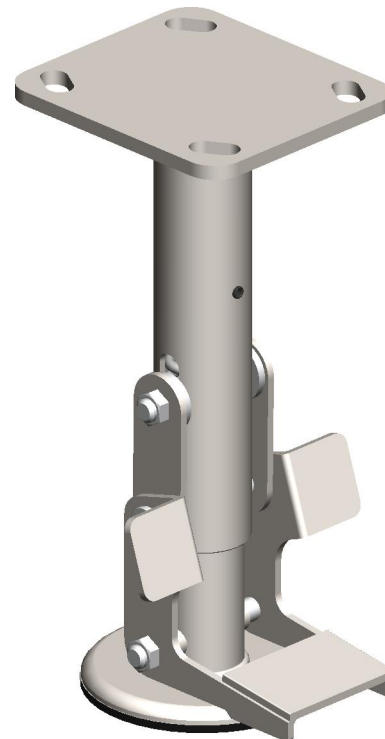
DATE	02/17/2021
SCALE	
PAGE	1 OF 1
DRAWN BY	S.C.
APPROVED BY	L.C.



EXTENDED POSITION



RETRACTED POSITION



E
D
C
B
A

1 2 3 4 5